



DATA SHEET

LOGITECH TOUCH CONTROLLER ACCESSORIES

With a range of mounting and cabling options, you can integrate and secure Tap or Tap IP touch controllers in almost any room. Accessories for Logitech touch controllers promote a clean and clutter-free meeting room appearance.

FLEXIBLE TOUCH CONTROLLER PLACEMENT

Logitech Tap and Tap IP touch controllers deliver one-touch join and a consistent experience across video meeting rooms, for room solutions from Google Meet™, Microsoft Teams®, Zoom™, and other video conferencing services. And with accessories for Logitech touch controllers, you can flexibly place Tap or Tap IP conveniently near participants to adapt to rooms of all shapes and sizes.

Secure the touch controller in place with the Table Mount or raise the viewing angle of Tap from 14° to 30° for better visibility on deeper tables with the Riser Mount. In smaller rooms, the Wall Mount preserves table space.

However your meeting rooms are configured, clean and secure cabling allows you to position meeting room devices, like Tap, a conference camera, or meeting room computer, without the constraints of power outlets, mounts, or room and table design.



TABLE MOUNT

Low-Profile with Pivot: Preserves the touch controller's sleek appearance and 14° screen angle while swiveling 180° for user convenience.

Fits Most Tables: Adjusts to tables up to 50mm (2 in) in thickness, and through grommets from 51 - 89mm (2 - 3.5 in) in diameter.

Cable Management: Supports down-routing of cables through the grommet for a clean appearance.

Product Dimensions

Tap with Table Mount
2.4 x 9.6 x 7.0 in
61 x 244 x 179 mm

Compatibility

Logitech Tap
Logitech Tap IP
Table Thickness: 0.75 - 2.0 in (20 - 50 mm)
Grommet Diameter: 2.0 - 3.5 in (51 - 89 mm)

Inside the Box

Table Mount Assembly
Cable Cinch
Documentation

Warranty

2-year limited hardware

Part Number

939-001811

Product Information

www.logitech.com/tap-table-mount

RISER MOUNT

Low-Profile with Pivot: Elevates the touch controller to a 30° screen angle for better visibility in larger rooms, while swiveling 180° for user convenience.

Fits Most Tables: Adjusts to tables up to 50mm (2 in) in thickness, and through grommets from 51 - 89mm (2 - 3.5 in) in diameter.

Cable Management: Supports down-routing of cables through the grommet for a clean appearance.

Product Dimensions

Tap with Riser Mount
2.4 x 9.6 x 6.9 in
102 x 244 x 174 mm

Compatibility

Logitech Tap
Logitech Tap IP
Table Thickness: 0.75 - 2.0 in (20 - 50 mm)
Grommet Diameter: 2.0 - 3.5 in (51 - 89 mm)

Inside the Box

Riser Mount Assembly
Cable Cinch
Documentation

Warranty

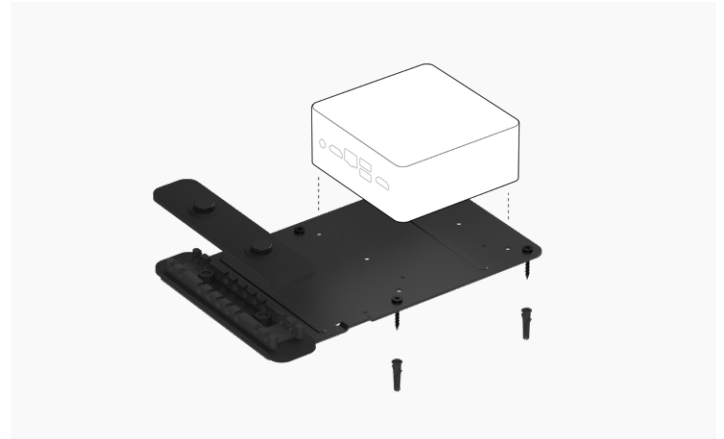
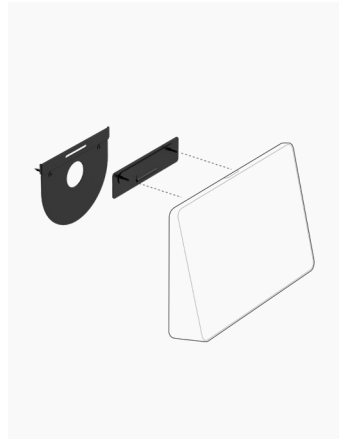
2-year limited hardware

Part Number

952-000080

Product Information

www.logitech.com/tap-riser-mount



WALL MOUNT

Flush Mounts to Any Wall: The plate and cleat construction adds virtually no thickness for a sleek appearance.

HDMI Cable Cinch: Hang an HDMI cable for easy access when deployed with applications that support wired content sharing.

In-Wall Cabling: Supports the touch controller's rear and bottom cable exits so you can route cabling either within or down the wall.

Product Dimensions

Tap with Wall Mount
2.3 x 9.6 x 7.0 in
58 x 244 x 179 mm

Compatibility

Logitech Tap
Logitech Tap IP

Inside the Box

Wall Mount Assembly (plate and cleat)
HDMI Cable Clip
Mounting Hardware
Documentation

Warranty

2-year limited hardware

Part Number

939-001817

Product Information

www.logitech.com/tap-wall-mount

PC MOUNT

For room solutions equipped with a mini PC or Google Meet compute system, add a PC Mount to secure the computer out of sight and out of harm's way.

Cable Retention: Two-piece cable retention clamp relieves strain and keeps USB, HDMI, power, and network cables tight and secure.

Fits Most SFF PCs: Robust steel mount fits small form factor (SFF) computers, Google Meet compute systems, and mounting plates with a 75mm or 100mm VESA pattern.

Hideaway Design: Includes hardware to mount a PC behind a display on the wall, or beneath a table.

Product Dimensions

PC Mount with Cable Retention Clamp
1.02 x 6.46 x 9.84 in
26 x 164 x 250 mm

Compatibility

Small form factor (SFF) computer with
75 x 75 mm or 100 x 100 mm VESA pattern

Inside the Box

PC mount
VESA Mounting Plate
Cable Retention Clamp
Mounting Hardware
Documentation

Warranty

2-year limited hardware

Part Number

939-001825

Product Information

www.logitech.com/pc-mount

Logitech Tap includes a Cat5e Kit to allow the USB-based touch controller to be powered and connected to the meeting room system over category cabling. Network-connected Logitech Tap IP requires a single PoE-enabled network cable or PoE Injector and ethernet cable (not included).



CAT5E KIT (FOR LOGITECH TAP)

All-Inclusive Kit: Custom-designed with all components and cabling required to supply power and connect Logitech Tap to a meeting room computer using Cat5e cable.

Category Cabling: Supplies both USB data and power, eliminating the need for a power outlet near Logitech Tap and freeing up more placement options for Tap in meeting rooms.

Minimal Clutter: Use the 10 meters of cable included with the Cat5e Kit or supply your own cabling for runs of up to 40 meters. Cat5e allows for precise cable lengths, reducing clutter beneath tables.

Compatibility

Cable Type: Cat5e or higher [up to 40 meters (131.23 ft) in total length]

Inside the Box

- Logitech Tap Receiver
- Dongle Transceiver
- 100-240v Power Supply with International Adaptor Set
- 2.97m/9.74 ft Cat5e Cable
- 7.0m/22.96 ft Cat5e Cable
- Documentation

Warranty

2-year limited hardware

Part Number

952-000019

Product Information

www.logitech.com/cat5ekit



www.logitech.com/Tap
www.logitech.com/TapIP

Contact your reseller
or contact us at
www.logitech.com/vcsales

Logitech Americas
7700 Gateway Blvd.
Newark, CA 94560 USA

Logitech Europe S.A.
EPFL - Quartier de l'Innovation
Daniel Borel Innovation Center
CH - 1015 Lausanne

Logitech Asia Pacific Ltd.
Tel : 852-2821-5900
Fax : 852-2520-2230

© 2021 Logitech. Logitech, the Logitech logo and other Logitech marks are owned by Logitech and may be registered. All other trademarks are the properties of their respective owners. Logitech assumes no responsibility for any errors that may appear in this publication. Product, pricing and feature information contained herein is subject to change without notice.

Published September 2021